



ABIG5D ROADGLIDE® LED HEADLIGHT USER MANUAL



Thank you for choosing Cyron products! Cyron is committed to provide the latest lighting technology without any compromises. Please read instructions completely before starting installation.



Cyron strongly recommends installation of this headlight to be done by a professional dealer. Improperly mounted, or poorly adjusted headlight can result in injury or death.



Look for the installation video of this product on Cyron site and Cyron YouTube channel.

INSTRUCTIONS

Cyron integrated ABIG series LED headlights replace entire reflector assembly which normally includes glass reflector, bulb, mounting rings, rubber boots, etc.

SAFETY MEASURES

- Disconnect the negative cable from the battery post.
- Cover the front fender and gas tank with protective covers or soft towels to prevent accidental damage to the paint.
- Make sure there is a clean area to store the bike parts during the installation.

1. Remove the windshield by referring to the bike's user manual.
2. Remove the outer fairings by referring to the bike's user manual. 2009 and earlier Roadglides have a clear headlamp cover which will no longer be used.
3. Remove the existing headlight assembly by pinching the square plastic clips to release. Leave the square clips on the bolt. They will be used as reference point for the new LED lights.
4. Using Cyron wipes or alcohol clean the area where the Back Bracket will be placed as shown in Figure 2. Let it completely dry.
5. Place Back Bracket on the back of the fairing as shown in figure 2. Make sure it fits in this orientation. Bracket ears must line up with the notches in the fairing.



Outline the Back Bracket position with a pencil.

6. Remove tape liner and place the Back Bracket. Make sure placement is done correctly the first time. Apply pressure for 15 seconds to assure adhesion. If tape is not provided a few small pieces of duct tape can be used to hold bracket in place. Once bolted in the bracket tape will not be necessary.



FIG 1

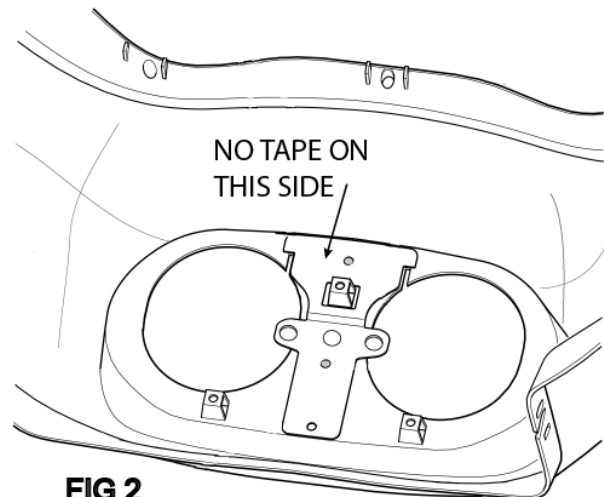
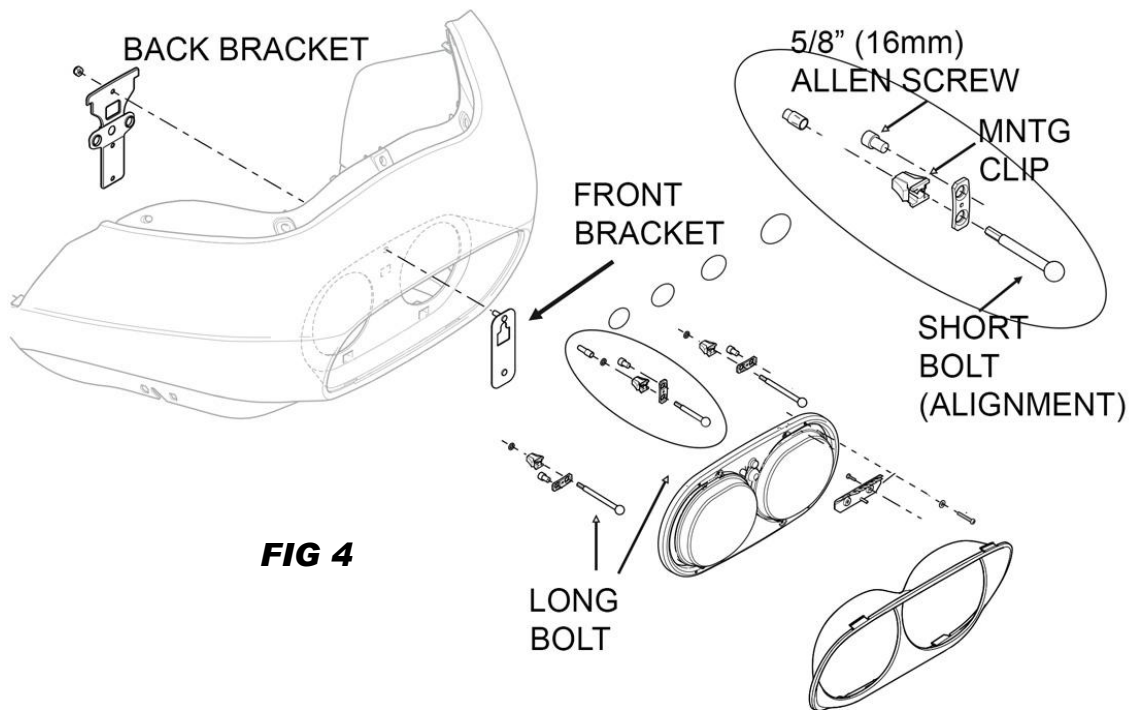
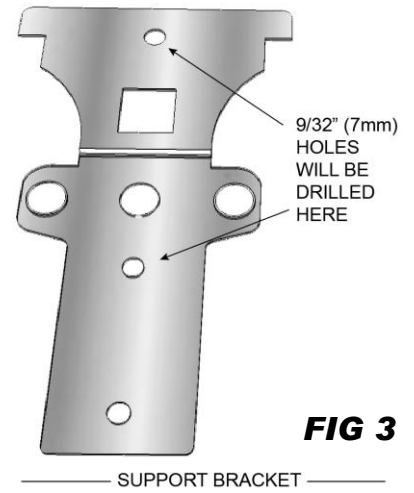


FIG 2

7. Carefully drill two 9/32" (7mm) holes as shown in figure 3. To minimize burrs apply masking tape on other side of the fairing before the holes are drilled. Remove the tapes and clean up the rough edges.

8. Place the Front Bracket on the front side of the fairing as shown in figure 4. It should line up with the Back Bracket. Use two lock nuts to fasten the brackets.



9. Place the trim bolts (rounded head) in their places as shown in Figure 5. Shorter of the three must be placed on top. Apply firm pressure by hand and the bolt should stand on its own as shown in the lower right position. Use the 5/8" inch allen bolts and square washer to secure the bolts in place. The chamfered side of the square washer should be facing the rounded bolt head. NOTE: The holes for the allen bolts are not threaded. Apply slight pressure to self tap the screws in place. DO NOT OVER TIGHTEN.





10. Place the square plastic clips on the rounded bolts. Hand tighten the clips to the same height as the stock headlight clips. Over tightening will cause the housing to break over time. Use a shop towel for better hand grip. Be gentle to avoid breaking the wings. Short bolt (top) controls the headlight top/down aim.

11. Place the bolt cap protector over the short rounded bolt.

12. Place the long black washers on the studs A and B shown in figure 5. The shoulder of the washers should be flush against the light.

13. Mount the wire harness protector on the left light (when viewing the back of the lights).

14. Orange factory wire will not be used. Tape back and secure.

15. Install the LED headlight in the fairing by aligning the round bolts to the three holes in the fairing. Install the LED headlight into the fairing the same way the old unit was removed. Make sure square clips snap in place.

16. Plug in the wire harnesses securely. Make sure the fitting is secure and harness will not come undone.

17. Place the fairing back on the bike by following bike's user guide but do not tighten all the bolts just yet. You may have to access the top round bolt again for alignment.

18. Connect the negative battery cable. Turn ignition key but do not start the bike. Headlight should turn on. Test both low and high beams.

19. Check beam alignment of the headlight by following the guideline below. You will need the 3/16 (5mm) socket to rotate the round headed bolts **BE CAREFUL IN THIS PROCESS SINCE FAIRING IS NOT FULLY SECURED YET.**

20. Proceed with final assembly of the fairing bolts once the proper headlight alignment has been confirmed.



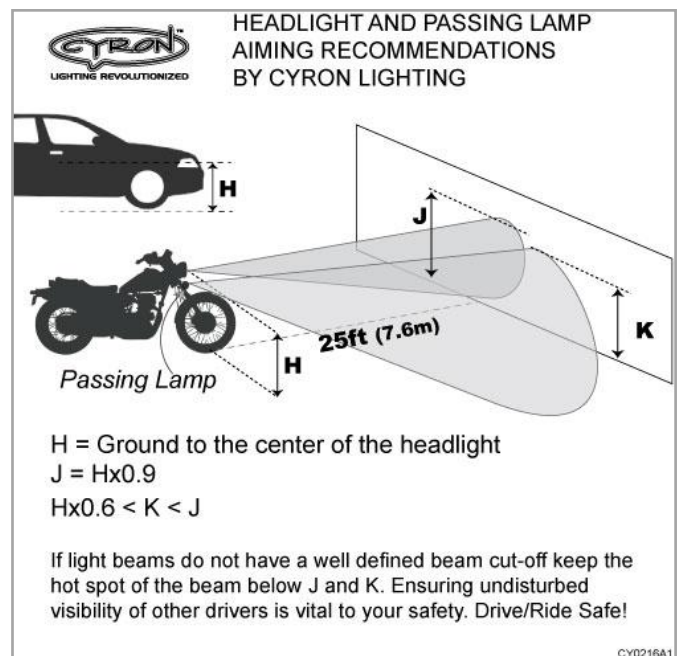
**WIRE HARNESS PROTECTOR
MOUNTS ON LEFT LIGHT**



HEADLIGHT ALIGNMENT

See guideline. Ensuring proper road visibility AND undisturbed visibility of other drivers is vital to your safety.

Ride Safe!



What Would YOU Light Today!™

SPECIFICATIONS

	ABIG5D-A6K
Operating Voltage	10-30VDC
Socket	H4
Peak LED Power, Watts	80W
Nominal Power, High Beam	80W
Nominal Power, Low Beam	60W
Light Output Max, Lumens	6,300
CCT	6000K
Water proof ingress rating	IP67
LED Chip	Cree
Certifications	DOT, ECE

WARRANTY

Cyron warrants this product against any defects in materials or workmanship for a period of ONE (1) year from the date of purchase. The warranty covers normal usage as intended by the factory and does not cover misuse, abuse, accidents, or damages caused due to the acts of God. Proof of purchase is required.

ANY IMPLIED WARRANTIES, INCLUDING WITHOUT LIMITATION THE IMPLIED WARRANTIES OF MERCHANTABILITY AND FITNESS FOR A PARTICULAR PURPOSE, SHALL BE LIMITED TO THE DURATION OF THIS LIMITED WARRANTY, OTHERWISE THE REPAIR, REPLACEMENT, OR REFUND AS PROVIDED UNDER THIS EXPRESS LIMITED WARRANTY IS THE EXCLUSIVE REMEDY OF THE CONSUMER, AND IS PROVIDED IN LIEU OF ALL OTHER WARRANTIES, EXPRESS OR IMPLIED. IN NO EVENT SHALL CYRON, INC. BE LIABLE, WHETHER IN CONTRACT OR TORT (INCLUDING NEGLIGENCE) FOR DAMAGES IN EXCESS OF THE PURCHASE PRICE OF THE PRODUCT, ACCESSORY OR FOR ANY INDIRECT, INCIDENTAL, SPECIAL OR CONSEQUENTIAL DAMAGES OF ANY KIND, OR LOSS OF REVENUE OR PROFITS, LOSS OF BUSINESS, OR OTHER FINANCIAL LOSS ARISING OUT OF OR IN CONNECTION WITH THE ABILITY OR INABILITY TO USE THE PRODUCTS OR ACCESSORIES TO THE FULL EXTENT THESE DAMAGES MAY BE DISCLAIMED BY LAW.

Some states and jurisdictions do not allow the limitation or exclusion of incidental or consequential damages, or limitation on the length of an implied warranty, so the above limitations or exclusions may not apply to you. This warranty gives you specific legal rights, and you may also have other rights that vary from state to state or from one jurisdiction to another. Warranty inquiries can be emailed to warranty@cyron.com or mailed to:

CYRON, Inc.
Warranty Claim Dept
21029-C Itasca Street
Chatsworth, CA 91311 USA

Other quality automotive lighting accessories & upgrades from CYRON

For details please contact your local dealer or visit www.CYRON.com:

<u>Part Number</u>	<u>Description/Application</u>
ABH4K-A6K	Headlight LED bulb retrofit kit, H4
AB881-A6K	Driving Lamp, LED bulb 880, 881 fitting
ABIG4.5-A6K	Driving Lamp, Integrated LED, 4.5" Harley fog lamp
AB1156H2	Light bulb Ultra High Power LED 1156 single contact, Amber OR Red OR White
AB1157H2	Light bulb Ultra High Power LED 1156 single contact, Amber OR Red OR White
AB3157H2	Light bulb Ultra High Power LED 1156 single contact, Red OR White
RC3A12	Tri-Zone accent lighting remote
CV62C-[color]	Convex 6LED Cluster, Chrome finish PAIR
CV62-[color]	Convex 6LED Cluster, Black finish PAIR
CV610C-[color]	Convex 6LED Cluster, Chrome finish BULK PACK 10pcs
CV610-[color]	Convex 6LED Cluster, Black finish BULK PACK 10pcs
FL30-[color]	FlexLED super flexible strips, 30LED, 12". Can be trimmed smaller
CMF1202	Rigid mount for FlexLED, 10", perfect for ground effect and lights under saddle bags
CON-TB005	Solder-less Terminal Block, 5 outlet

Have you registered yet!?

www.cyron.com/register

- ▶ Participate in product giveaways
- ▶ Receive technical support
- ▶ Product releases & upgrades



www.CyronMotor.com
info@cyron.com